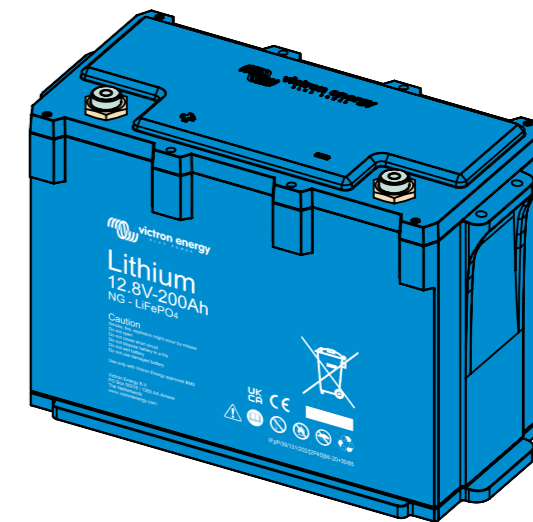
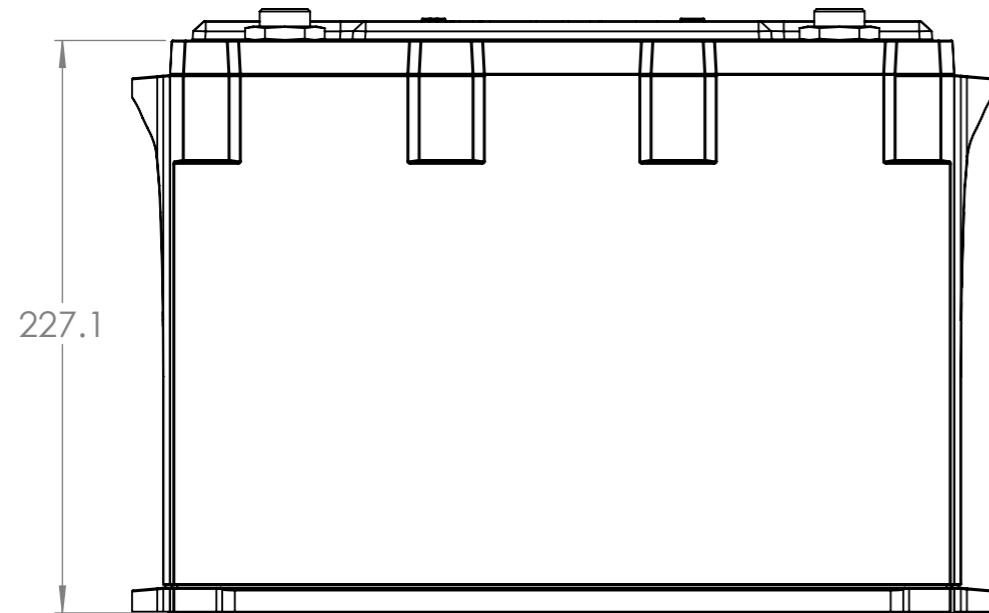
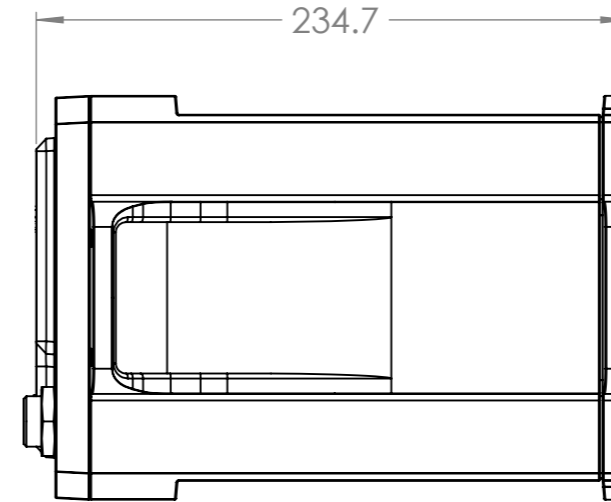
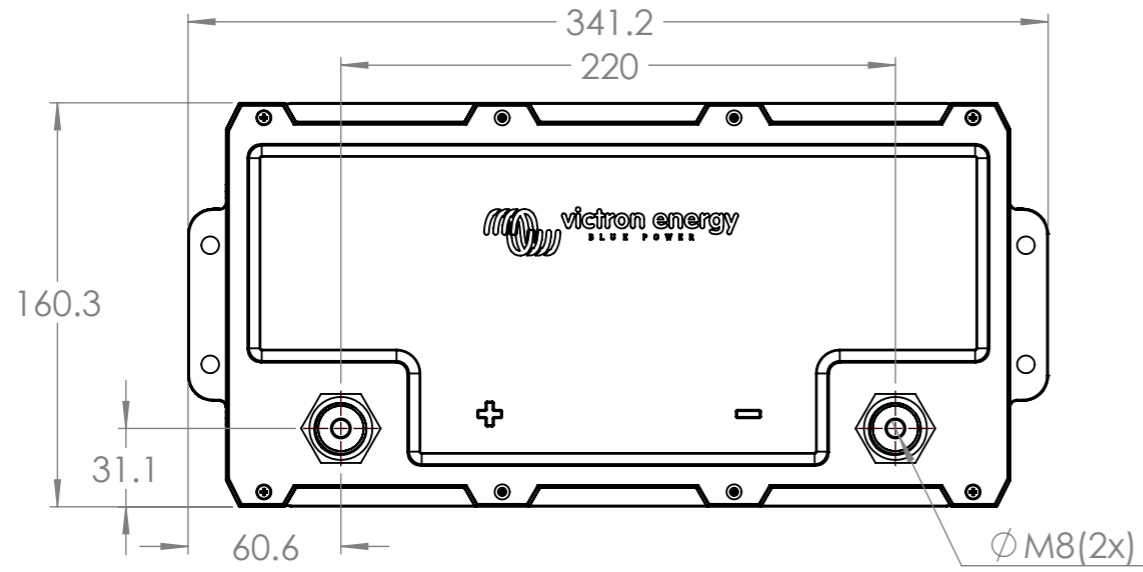


Dimension Drawing - LiFePO4 (NG)	
BAT512120620	LiFePO4 Battery 12,8V/200Ah NG
BAT524110620	LiFePO4 Battery 25,6V/100Ah NG



Dimensions in mm

